



CRESTLINER

FORGED WITH STRENGTH. DEFINED BY DURABILITY.

2019 PONTON CATALOG



PUT RELAXATION FRONT AND CENTER

At Crestliner, we've expanded our range of pontoons so there are more ways to take to the water in comfort and style. From the refined performance of the Rally DX, to the versatile Sprint series, there's always a perfect boat ready to bring everyone together for generations to come. The expert craftsmanship and durability of Crestliner is evident from bow to stern in every pontoon we build, and it's what you should expect from our 70+ years of boat building experience. Crestliner pontoons give fishing with friends and relaxing with family a whole new life, every time you take the helm.



FIND RECREATION IN EVERY FAMILY



240 Rally



220 Rally DX



160 Sprint



THE **CRESTLINER**® ADVANTAGE

FORGED WITH STRENGTH. DEFINED BY DURABILITY.

We only use top-of-the-line materials and advanced construction methods to build our pontoons, separating Crestliner from the rest of the pack. Our commitment to craftsmanship ensures every Crestliner pontoon is built with a singular purpose: improving every moment spent on the water.

Every boat starts with a solid foundation built from high-grade sheets of aluminum that are rolled into durable pontoon tubes. To add structural and torsional strength, riser brackets and a crossmember system are welded to each tube, creating a strong and durable sub-structure. The result of this engineering is a stable, confident and comfortable ride—a signature Crestliner advantage.

1 REINFORCED PONTOON TUBES

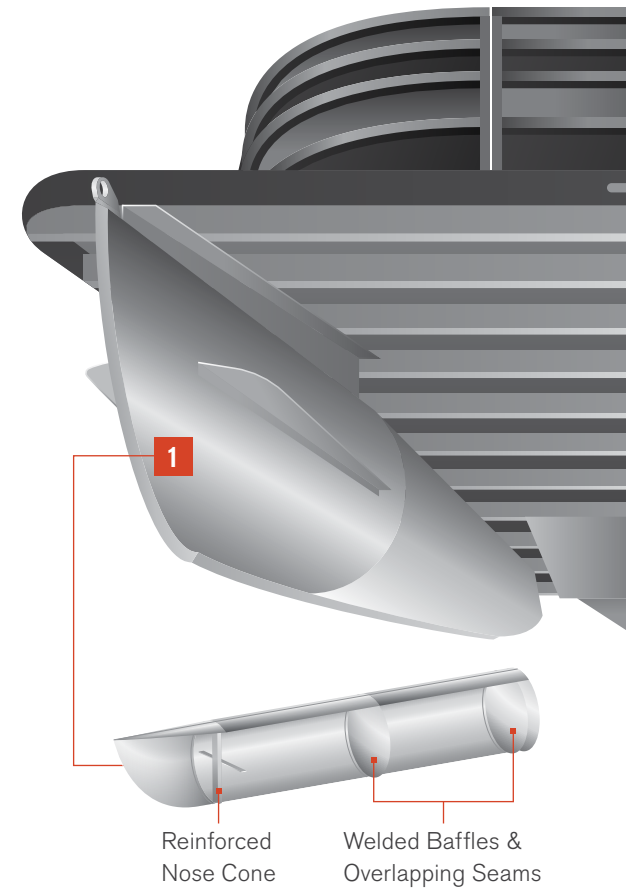
Each pontoon's tube chambers overlap and are locked together with a fully-welded seam that creates a rock-solid bond. Baffles are welded into each chamber for added strength and a tighter seal. In the event of a puncture, the sealed chambers keep the pontoon afloat.

2 TORSION CONTROL RISER BRACKET

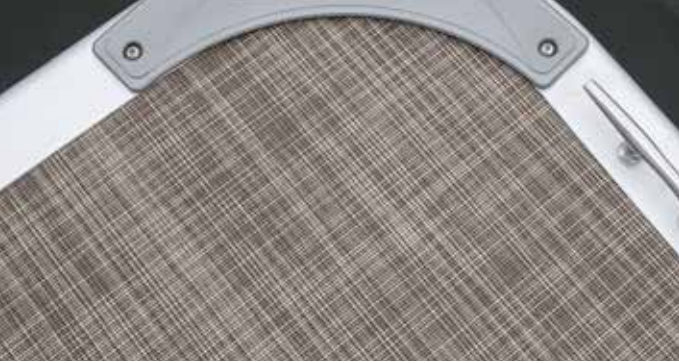
The Rally series features a unique concave design on its torsion control riser brackets. This allows the brackets to absorb the impact of waves and rough water while reducing stress on the tubes and deck, ensuring a durable connection point.

3 OPTIMIZED CROSSMEMBER DESIGN

The crossmembers are optimally spaced on the riser brackets to provide calculated support on weight-bearing loads where it's needed. Adhesive sealing tape is applied on top of every crossmember creating a cushion and acting as an insulator from waves or rough water.

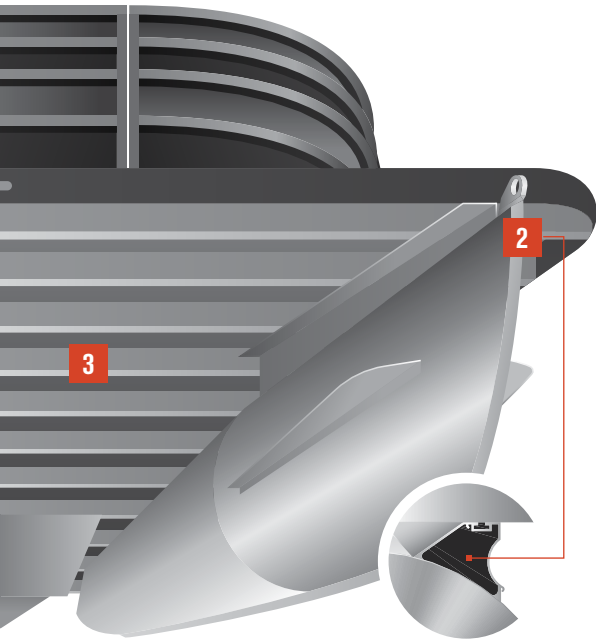


Not all processes, features and statements apply to every Crestliner pontoon model.



MARINE-GRADE DECK

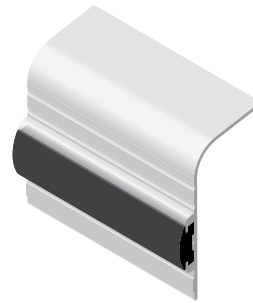
The marine-grade deck is secured to crossmembers using Tek® screws. Unlike bolts that can stretch and loosen over time, Tek screws create a solid and secure deck. Urethane sealant is used on wood seams to prevent water penetration.



Torsion Control Riser Brackets

RUB RAIL SYSTEM

The crossmembers extend near the rub rail providing additional support in case of impact. The rub rail system will take the abuse of impact, helping protect the structural integrity of the deck.



PREMIUM FEATURES

Every Crestliner Pontoon comes standard with a feature-rich helm, ample storage and a wide array of comfortable seating options for your guests. With the ability to upgrade features including audio, seating and flooring, you'll always ride in style.

LIMITED LIFETIME WARRANTY

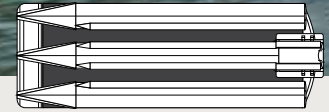
Receive a limited lifetime warranty on pontoon tubes, crossmembers, decking, motor mount and fence rails. Plus, a 5-year bow-to-stern warranty on virtually everything else. It only gets better from there: Crestliner's warranty transfers to future owners. (See warranty for details)

ENDURING QUALITY

At Crestliner, integrity and passion drives every decision, from the builders who make the pontoons to the owners who use them. We take pride in our generations of engineering innovation—designing pontoons that last generations too.



THREE TUBES TO UPGRADE YOUR PERFORMANCE.



V3 ACTION PACKAGE* Available on Rally DX / Rally Only

The V3 Action Package takes pontoon performance to the next level with a third tube for increased speed and watersports opportunities while adding V-hull stability. This full-length center tube adds buoyancy and rigidity, allowing you to add a larger horsepower motor, increase passenger capacity, and give you greater control in rough water. Additionally, the V3 Action Package adds full-length lifting strakes to all three tubes for faster, smoother planing.

Reinforced Nose Cone for Rough Water

Full-Length Lifting Strakes

Full Aluminum Underdeck Skin

GPS-Driven Speedometer
(standard on Rally DX models)

Increased Fuel Capacity

V3 SKI PACKAGE* Available on Rally DX / Rally Only

The V3 Ski Package delivers on all of the performance features of the V3 Action package, adding the stainless steel ski tow bar and massive in-floor storage for skis and boards.

*Available with 25" or 27" diameter pontoon tubes

240 | 220 | 200

RALLY DX

MAXIMUM COMFORT AND PERFORMANCE

Rally DX puts refined performance at the center of your experience. With plush pillow top furniture, seating for up to 16, a deluxe finish and chrome accents, it's easy to see what makes these boats exceptional. With three lengths and five configurations, the perfect pontoon is within reach. Fishing, skiing or cruising, the Rally DX is made to elevate every day on the water.



240 Rally DX Center Walkthrough Dual Helm (CWDH)



KEY FEATURES



PILLOW TOP CHAISE LOUNGE FURNITURE

Plush, pillow top chaise lounges with storage below offer great comfort, style and versatility for every layout. (Not available on FS floorplan)



PREMIUM HELM STATION

The console's sleek design is packed with features lit rocker switches, space for 7" electronics, premium aluminum polished steering wheel with tilt steering, and much more.



PILLOW TOP HIGHBACK RECLINING HELM CHAIR

Reclining pillow top highback helm chair provides maximum versatility and comfort. Includes swivel base, slider and armrests.



TELESCOPING LADDER

Telescoping stainless steel four-step ladder provides extra support for getting in and out of the water.



220 Rally DX Fish & Cruise (FC)



240 Rally DX Center Walkthrough Dual Helm (CWDH)

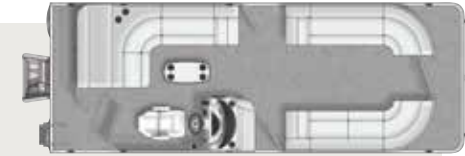


220 Rally DX Cruise (CS)

240 | 220 | 200

RALLY DX

FLOORPLANS



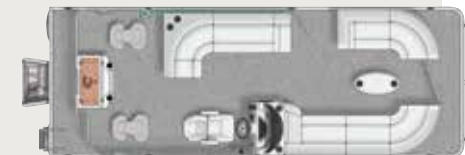
CRUISE (CS)



CENTER WALKTHROUGH (CW)



CENTER WALKTHROUGH DUAL HELM (CWDH)



FISH & CRUISE (FC)



FISH (FS)

See pages 10-13 for additional features, options and floorplans.

MORE FEATURES AND OPTIONS

Pro Fish Seats (FC, FS)

Wood Grain Table w/Drink Holders

Stainless Steel Flip Up Cleats

MB Quart Stereo w/ Four Speakers

Premium Aluminum Polished
Steering Wheel w/Tilt

3D Chrome Logo

GPS Speedometer

Docking & Courtesy Lights

Tube Accent Graphics

Raised Helm*

Changing Room*

V3 Action & V3 Ski Packages*

*Optional

240 | 220 | 200

RALLY

ENJOY THE WATER A NEW WAY

Our Rally pontoons are designed to deliver the ideal combination of performance and relaxation for fishing, skiing and cruising. With three lengths and five layout options, you can create the perfect pontoon to suit your family and friends. The Rally series comes with seating options for up to 16 people, so whatever you do on the water, you'll do it in comfort and style, surrounded by those closest to you.



200 Rally Fish (FS)



KEY FEATURES



FISH STATION

Fully featured fishing station includes a 15-gallon livewell with light and pump, washdown system, throw tray, tool holder and two drink holders.



HELM STATION

Integrated helm station includes lit rocker switches, three drink holders, 12V power outlet, fuel, tachometer and trim gauges, aluminum polished steering wheel, throw tray, windscreen and additional storage below. (Shown with optional locator)



STERN CHAISE LOUNGE FURNITURE

Chaise lounges with storage below offer great comfort and versatility. (Not available on the FC and FS floorplans)



LOWBACK HELM CHAIR

Cruise in comfort with the lowback helm chair. Comes standard with swivel base, slider and armrests.



240 Rally Center Walkthrough (CW)



220 Rally Fish & Cruise (FC)

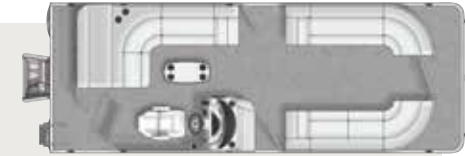


200 Rally Fish (FS)

240 | 220 | 200

RALLY

FLOORPLANS



CRUISE (CS)



CENTER WALKTHROUGH (CW)



CENTER WALKTHROUGH DUAL HELM (CWDH)



FISH & CRUISE (FC)



FISH (FS)

See pages 10-13 for additional features, options and floorplans.

MORE FEATURES AND OPTIONS

Deluxe Fish Seats (FC, FS)

Bimini Top

Stainless Steel Cleats

MB Quart Stereo w/ Two Speakers

Aluminum Polished Steering Wheel

Table w/ Drink Holders

4-Step Ladder w/ Platform

V3 Action & V3 Ski Packages*

Upgraded Flooring*

Changing Room*

*Optional

200 | 180 | 160

SPRINT

VALUE FROM EVERY ANGLE

The Sprint pontoon is ideal for boaters looking for value without compromising versatility. The Sprint features three lengths, two configurations and seats up to 11 on comfortable lounge furniture, so you can bring family and friends along for the ride. So drop a line. Soak up some rays. The Sprint delivers exactly what you're looking for, every time you take the helm.



160 Sprint Fish & Cruise (FC)



KEY FEATURES



BOW LOUNGE FURNITURE

Perfect for relaxing in the sun or drying off after a refreshing swim, the bow lounge furniture comes with drink holders and below-seat storage. (CS Only)



DELUXE SEAT

Ride in comfort with Deluxe helm and passenger seats complete with swivel base and fold-down back. In addition, the FC floorplan adds two more in the bow so you can drop a line from every angle.



15-GALLON LIVEWELL

Conveniently located in front of the console, the bow 15-gallon livewell is aerated to keep your catch fresh. (FC Only)



HELM STATION

A modern helm station provides quick access to storage and conveniently located rocker switches. Easy-to-read gauges and room to mount electronics. (Shown with optional locator)



200 Sprint Cruise (CS)

200 | 180 | 160
SPRINT

FLOORPLANS



CRUISE (CS)



FISH & CRUISE (FC)

See pages 10-13 for additional features, options and floorplans.



160 Sprint Fish & Cruise (FC)



180 Sprint Fish & Cruise (FC)

MORE FEATURES AND OPTIONS

Helm & Passenger Deluxe Seats

4-Step Ladder w/ Platform

Bimini Top (Black)

Three Gates (Bow Gate on FC accommodates a trolling motor)

Storage Below All Lounge Furniture

Table w/Drink Holders

Ski Tow Bar*

Lowback Helm Chair w/ Folding Armrest, Slider & Swivel*

Jensen® Stereo w/ Bluetooth & Two Speakers*

Woven Flooring*

13-Gallon Livewell (Furniture Drop-In)(CS Only)*

*Optional

FEATURES & OPTIONS

Add comfort, style, function and fun with a full range of features and options available for most pontoons. Visit Crestliner.com or your local dealer for complete information.

RALLY DX & RALLY



WOODGRAIN TABLE WITH DRINK HOLDERS

Standard on Rally DX, Optional on Rally (Also available in Gray)



10-GALLON AERATED LIVEWELL

Optional on Rally DX & Rally (Furniture Drop-in)



CHANGING ROOM WITH CURTAIN

Optional on Rally DX & Rally



PRO SEAT

Standard on Rally DX FC & FS models (Also available in Gray)



DELUXE SEAT

Standard on Rally FC & FS models (Also available in Beige)



LIGHTING PACKAGE

Optional on Rally DX & Rally (Rally DX Shown)



BIMINI TOP

10' Standard on Rally DX & Rally Optional 12' Lighted & 12' Double Bimini Tops



FULL ENCLOSURE PACKAGE

Includes double Bimini top with bow, side & aft curtains. Optional on Rally DX & Rally



LOCKING ROD STORAGE

Standard on Rally DX & Rally FC & FS models

SPRINT



STERN LOUNGE BENCH

Standard on CS & FC models



SKI TOW BAR

Optional on CS & FC models



LOWBACK HELM CHAIR

Optional on CS & FC models

COLOR & FLOORING OPTIONS

RALLY DX & RALLY

FENCE & ACCENT COLORS



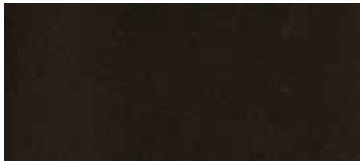
Carbon Steel (Fence & optional accent color)



Nautical Blue (Fence & optional accent color)



Onyx Black (Fence only and optional accent color)



Canyon Brown Metallic (Fence only)



White Fusion Metallic (Fence only)



Matte Black (Optional accent color only)

GRAPHICS & RAILS



Sport Graphic (Optional)



Tube Accent Graphic w/Optional Tube Sport Graphic (Rally DX only)

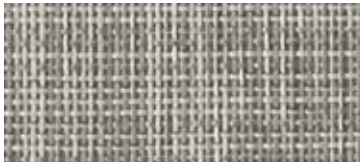


Silver Anodized Rails (Standard)

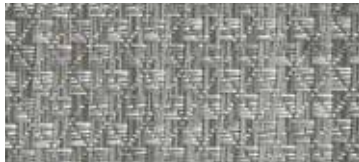


Black Anodized Rails (Optional)

FLOORING



Seagrass, Gray (Standard)



Woven Shadow Diamonds, Gray (Optional)



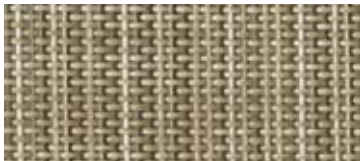
Woven Teak, Warm Gray (Optional)



Vinyl Teak, Gray (Optional)



Vinyl, Gray (Optional)



Seagrass, Beige (Standard)



Woven Shadow Diamonds, Beige (Optional)



Woven Teak, Beige (Optional)



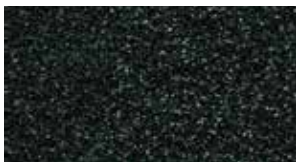
Vinyl Teak, Beige (Optional)



Vinyl, Beige (Optional)

SPRINT

FENCE COLORS



Black Metallic Fence w/ Silver Rails

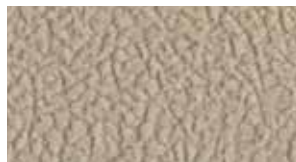


Maroon Red Fence w/ Silver Rails



Slate Blue Fence w/ Silver Rails

FLOORING



Vinyl, Beige (Standard)



Wide Woven (Optional)



Narrow Woven (Optional)

FLOORPLANS & SPECIFICATIONS

SPECIFICATIONS

Overall Length (Includes ladder)
 Pontoon Length
 Pontoon Diameter (.080 gauge)
 Beam
 Weight
 (2 tubes/3 tubes)
 Max Weight Capacity*
 (2 tubes/3 tubes)
 Max Person Capacity*
 (2 tubes/3 tubes)
 Max HP Capacity (2 tubes/3 tubes)
 Fuel Capacity (2 tubes/3 tubes)
 Draft Up/Draft Down
 Bimini Clearance
 (Bimini and stern lights down)

RALLY DX / RALLY

	240		220		200	
Overall Length (Includes ladder)	25'9"	7.85 m	23'5"	7.14 m	22'1"	6.73 m
Pontoon Length	24'	7.32 m	22'	6.71 m	20'	6.10 m
Pontoon Diameter (.080 gauge)	25"	63.50 cm	25"	63.50 cm	25"	63.50 cm
Beam	8'6"	2.59 m	8'6"	2.59 m	8'6"	2.59 m
Weight	2,705# (2)	1,227 kg (2)	2,495# (2)	1,132 kg (2)	2,265# (2)	1,027 kg (2)
	3,400# (3)	1,542 kg (3)	3,010# (3)	1,365 kg (3)	2,560# (3)	1,161 kg (3)
Max Weight Capacity*	2,314# (2)	1,050 kg (2)	2,073# (2)	940 kg (2)	1,918# (2)	870 kg (2)
	2,679# (3)	1,215 kg (3)	2,410# (3)	1,093 kg (3)	2,222# (3)	1,007 kg (3)
Max Person Capacity*	12-13 (2)	12-13 (2)	10-11 (2)	10-11 (2)	9-10 (2)	9-10 (2)
	14-15 (3)	14-15 (3)	12-13 (3)	12-13 (3)	11 (3)	11 (3)
Max HP Capacity (2 tubes/3 tubes)	150/200	150/200	150/200	150/200	115/150	115/150
Fuel Capacity (2 tubes/3 tubes)	28 gal (2)	106 L (2)	28 gal (2)	106 L (2)	28 gal (2)	106 L (2)
	37 gal (3)	140 L (3)	37 gal (3)	140 L (3)	37 gal (3)	140 L (3)
Draft Up/Draft Down	12"/21"	31 cm/53 cm	12"/21"	31 cm/53 cm	12"/21"	31 cm/53 cm
Bimini Clearance	62"	158 cm	62"	158 cm	62"	158 cm

* Note: Max capacity = person + motor. Engine size affects capacity. Tube diameter also changes capacity.

SPECIFICATIONS

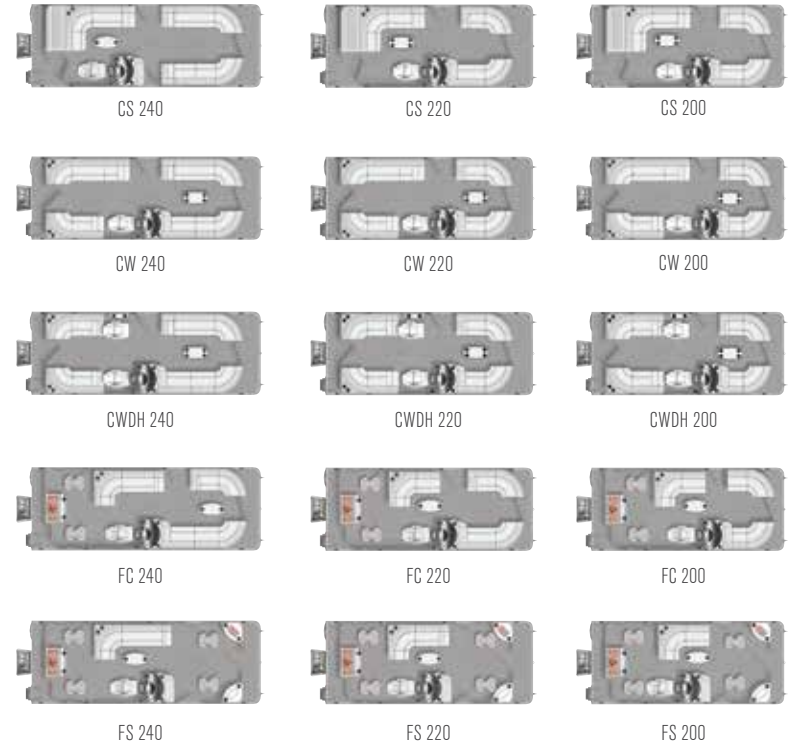
Overall Length (Includes ladder)
 Pontoon Length
 Pontoon Diameter (.080 gauge)
 Beam
 Weight
 Max Weight Capacity*
 Max Person Capacity*
 Max HP Capacity
 Fuel Capacity

SPRINT

	200		180		160	
Overall Length (Includes ladder)	21' 4"	6.50 m	19' 6"	5.94 m	17' 10"	5.44 m
Pontoon Length	20' 3"	6.17 m	18' 3"	5.56 m	16' 3"	4.95 m
Pontoon Diameter (.080 gauge)	25"	63.50 cm	25"	63.50 cm	25"	63.50 cm
Beam	8'	2.44 m	8'	2.44 m	8'	2.44 m
Weight	1,780# CS	807 kg CS	1,672# CS	758 kg CS	1,605# CS	728 kg CS
	1,792# FC	813 kg FC	1,672# FC	758 kg FC	1,629# FC	740 kg FC
Max Weight Capacity*	2,219# CS	1,007 kg CS	1,939# CS	880 kg CS	1,659# CS	753 kg CS
	2,214# FC	1,004 kg FC	1,939# FC	880 kg FC	1,640# FC	744 kg FC
Max Person Capacity*	11	11	9	9	8	8
Max HP Capacity	115	115	75	75	50	50
Fuel Capacity	6 gal Portable	23 L Portable	6 gal Portable	23 L Portable	6 gal Portable	23 L Portable

*Note: Max capacity = person + motor. Engine size affects capacity.

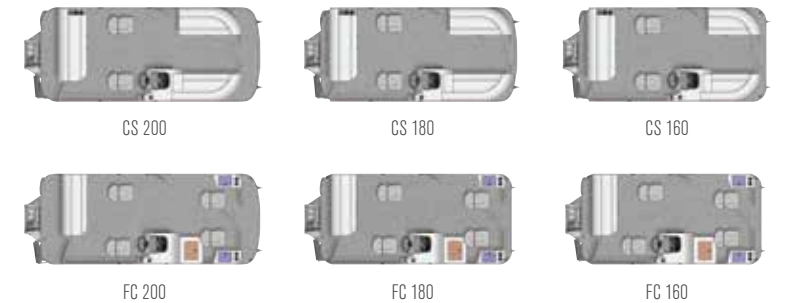
RALLY DX / RALLY



All Models: Storage below all lounge furniture

FC & FS: Rod Storage **Livewell**

SPRINT



All Models: Storage below Stern Bench
 Storage below all lounge furniture (CS)

FC: Storage **Livewell**

FLOORPLAN	RALLY DX					RALLY					SPRINT	
	CS	CW	CWDH	FC	FS	CS	CW	CWDH	FC	FS	CS	FC
SEATING												
Helm Seat with Slider & Swivel (Lowback, Non-Reclining / Highback Recliner)	- / STD	- / STD	- / STD	- / STD	- / STD	STD / OPT	STD / OPT	STD / OPT	STD / OPT	STD / OPT	- / OPT	- / OPT
Deluxe / Pro Fishing Seats	-/-	-/-	-/-	- / STD (2)	- / STD (4)	-/-	-/-	-/-	STD (2) / -	STD (4) / -	STD (2) / -	STD (4) / -
Chaise Lounge Chairs / Pillow Top Chaise Lounge Chairs	- / STD	- / STD	- / STD	- / STD	- / STD	STD / -	STD / -	STD / -	STD / -	STD / -	STD / -	STD / -
Lounge Bench / Bench w/ Conversion Backrest	-/-	-/-	-/-	-/-	-/-	-/-	-/-	-/-	-/-	-/-	STD / OPT	STD / OPT
Adjustable Height Seat Base	OPT	OPT	OPT	OPT	OPT	OPT	OPT	OPT	OPT	OPT	-	-
HELM												
Raised Helm	OPT	OPT	OPT	OPT	OPT	-	-	-	-	-	-	-
Gauges, Analog (Tachometer & Trim / Fuel)	STD / STD	STD / STD	STD / STD	STD / STD	STD / STD	STD / STD	STD / STD	STD / STD	STD / STD	STD / STD	STD / STD	STD / STD
Speedometer, (Rally DX: GPS Driven)	STD	STD	STD	STD	STD	OPT	OPT	OPT	OPT	OPT	STD	STD
Depth sounder, Digital	OPT	OPT	OPT	OPT	OPT	OPT	OPT	OPT	OPT	OPT	-	-
Premium Steering Wheel	STD	STD	STD	STD	STD	OPT	OPT	OPT	OPT	OPT	-	-
Windscreen (Removable)	STD	STD	STD	STD	STD	STD	STD	STD	STD	STD	STD	STD
Jensen® Stereo w/ 2 Speakers	-	-	-	-	-	-	-	-	-	-	STD	STD
MB Quart® Stereo w/ 2 Speakers / w/ 4 Speakers & Deck Remote	- / -	- / -	- / -	- / -	- / -	STD / OPT	STD / OPT	STD / OPT	STD / OPT	STD / OPT	- / -	- / -
MB Quart® Stereo w/ 4 Speakers / w/ 8 Speakers, Deck Remote, Sub Woofer & Amplifier	STD / OPT	STD / OPT	STD / OPT	STD / OPT	STD / OPT	- / -	- / -	- / -	- / -	- / -	- / -	- / -
STEERING												
Hydraulic Steering / Xtreme Steering / Panther Power Steering	OPT / OPT / OPT	OPT / OPT / OPT	OPT / OPT / OPT	OPT / OPT / OPT	OPT / OPT / OPT	OPT / OPT / OPT	OPT / OPT / OPT	OPT / OPT / OPT	OPT / OPT / OPT	OPT / OPT / OPT	OPT / OPT / OPT	- / - / -
Mercury Active Trim	OPT	OPT	OPT	OPT	OPT	OPT	OPT	OPT	OPT	OPT	-	-
Tilt Steering (Included w/ Hydraulic & Xtreme Steering on Rally DX & Rally)	STD	STD	STD	STD	STD	OPT	OPT	OPT	OPT	OPT	OPT	OPT
FISHING FEATURES												
Fishing Station*	-	-	-	STD	STD	-	-	-	STD	STD	-	-
Bow Angling Stations w/ 15 Gallon Livewell & Tackle Storage	-	-	-	-	STD	-	-	-	-	STD	-	-
Livewell, 15 Gallon (In Front of Helm)	-	-	-	-	-	-	-	-	-	-	-	STD
Livewell, Furniture Drop-in	OPT	OPT	OPT	OPT	OPT	OPT	OPT	OPT	OPT	OPT	OPT	-
Locking Rod Storage (4 Tubes @ 8' Capacity)	-	-	-	STD	STD	-	-	-	STD	STD	-	-
Rod Holders (Rail Mount)	-	-	-	STD (2)	STD (4)	-	-	-	STD (2)	STD (4)	-	-
Lowrance Hook2 4x Fishfinder / Simrad G05 or G07	- / OPT	- / OPT	- / OPT	- / OPT	- / OPT	OPT / -	OPT / -	OPT / -	OPT / -	OPT / -	OPT / -	OPT / -
Half-Gate (Rally DX/Rally Includes Trolling Motor Outlet & Harness, Bow)	OPT	OPT	OPT	OPT	OPT	OPT	OPT	OPT	OPT	OPT	-	STD
COLORS & GRAPHICS												
Accent Fence Color	OPT	OPT	OPT	OPT	OPT	OPT	OPT	OPT	OPT	OPT	-	-
Anodized Rails, Rub Rail & Bimini Frame (Silver / Black)	STD / OPT	STD / OPT	STD / OPT	STD / OPT	STD / OPT	STD / OPT	STD / OPT	STD / OPT	STD / OPT	STD / OPT	STD / -	STD / -
Sport Graphic / Tube Accent Graphics	OPT / STD	OPT / STD	OPT / STD	OPT / STD	OPT / STD	OPT / -	OPT / -	OPT / -	OPT / -	OPT / -	- / -	- / -
ACCESSORIES												
Changing Room w/ Curtain	OPT	OPT	OPT	OPT	OPT	OPT	OPT	OPT	OPT	OPT	-	-
Courtesy Lights / Docking Lights	STD / STD	STD / STD	STD / STD	STD / STD	STD / STD	OPT / OPT	OPT/OPT	OPT/OPT	OPT/OPT	OPT/OPT	STD / OPT	STD / OPT
Lighting Package (Rope Lights, Lighted Speakers & Drink Holders)	OPT	OPT	OPT	OPT	-	OPT	OPT	OPT	OPT	OPT	-	-
Ski Tow Bar	OPT	OPT	OPT	OPT	OPT	OPT	OPT	OPT	OPT	OPT	OPT	OPT
4-Step Ladder w/ Platform / 4-Step Stainless Steel Telescoping Ladder	- / STD	- / STD	- / STD	- / STD	- / STD	STD / OPT	STD / OPT	STD / OPT	STD / OPT	STD / OPT	STD / -	STD / -
Stainless Steel Cleats / Stainless Steel Flip-up Cleats	- / STD	- / STD	- / STD	- / STD	- / STD	STD / OPT	STD / OPT	STD / OPT	STD / OPT	STD / OPT	- / -	- / -
Table w/ 4 Drink Holders / Upgraded Woodgrain Table w/ 2 Drink Holders	- / STD	- / STD	- / STD	- / STD	- / STD	STD / OPT	STD / OPT	STD / OPT	STD / OPT	STD / OPT	STD / -	STD / -
CANVAS COVERS												
Mooring Cover (Snapless for Rally DX & Rally)	STD	STD	STD	STD	STD	STD	STD	STD	STD	STD	OPT	OPT
Bimini Top	STD	STD	STD	STD	STD	STD	STD	STD	STD	STD	STD	STD
Bimini Top, Double	OPT	OPT	OPT	OPT	OPT	OPT	OPT	OPT	OPT	OPT	-	-
Bimini Top 12' / 12' Lighted	OPT / OPT	OPT / OPT	OPT / OPT	OPT / OPT	OPT / OPT	OPT / OPT	OPT / OPT	OPT / OPT	OPT / OPT	OPT / OPT	- / -	- / -
Full Enclosure (Double Bimini, Front, Side & Aft Curtains)	OPT	OPT	OPT	OPT	OPT	OPT	OPT	OPT	OPT	OPT	-	-
PERFORMANCE & CONSTRUCTION												
27" Tubes (Includes Full Length Keel)	OPT	OPT	OPT	OPT	OPT	OPT	OPT	OPT	OPT	OPT	-	-
Keel (Full Length Extruded) / Lifting Strakes	STD / OPT	STD / OPT	STD / OPT	STD / OPT	STD / OPT	STD / OPT	STD / OPT	STD / OPT	STD / OPT	STD / OPT	STD / OPT	STD / OPT
Skin Kit (Aluminum)	OPT	OPT	OPT	OPT	OPT	OPT	OPT	OPT	OPT	OPT	OPT	OPT
3 Tube Packages (V3 Action Package / V3 Ski Package)**	OPT / OPT	OPT / OPT	OPT / OPT	OPT / OPT	OPT / OPT	OPT / OPT	OPT / OPT	OPT / OPT	OPT / OPT	OPT / OPT	- / -	- / -
Rough Water Package / Saltwater Package	OPT / OPT	OPT / OPT	OPT / OPT	OPT / OPT	OPT / OPT	OPT / OPT	OPT / OPT	OPT / OPT	OPT / OPT	OPT / OPT	- / OPT	- / OPT

FLOORPLANS: CS=Cruise, CW=Center Walk-Through, CWDH=Center Walk-Through Dual Helm, FC = Fish & Cruise, FS = Fish
 *Fishing Station includes 15 gallon livewell w/ light & pump, washdown system, throw tray, tool holders & drink holders

LEGEND: STD = Standard OPT = Optional - = Not Available
 **See page 3 for more information on 3 Tube Packages

These are just some of the features and options available. Please see the Crestliner website for more information. Some features/options may change based on layout. Every effort was made to ensure that this information was accurate at the time of printing. Crestliner assumes no responsibility for errors in type or in print.



CRESTLINER

FORGED WITH STRENGTH. DEFINED BY DURABILITY.

*Not all processes, features and statements apply to every Crestliner pontoon model.

All prices and specifications subject to change. Crestliner reserves the right to discontinue models or change prices, specifications, materials, equipment, color or design at any time without notice and without incurring obligations. Some models are shown with optional features and equipment. Outboard model weights shown in this catalog reflect the approximate weight of the pontoon only, and do not include weights of the outboard motor or accessories installed. All pontoons meet or exceed United States Coast Guard regulations, applicable American Boat and Yacht Council standards and are certified by the National Marine Manufacturer's Association. Receive a limited lifetime warranty on pontoon tubes, crossmembers, decking, motor mount and fence rails. Plus, a 5-year bow-to-stern warranty on virtually everything else. It only gets better from there. Crestliner's warranty transfers to future owners. When its time to upgrade to a new Crestliner, you have the option to transfer the warranty to the second owner. Our proven welding techniques and innovations allow us to offer you one of the best warranties in the industry. Some restrictions apply. For complete details, a copy of our limited warranty is attached to each new pontoon or may be obtained from your Crestliner dealer. Many pontoons featured in this catalog are shown with available options. See your dealer for details. Every effort was made to ensure that this information was accurate at the time of printing. Crestliner assumes no responsibility for errors in type, in print or in photos. Please follow the rules of safe boating, be courteous to others and respect the marine environment. Special thanks to MMA®, Mercury Marine®, Onyx® and Fair Hills Resort, Detroit Lakes, MN & Port of Kimberling Marina & Resort, Kimberling City, MO.

©2019 Crestliner / A Brunswick boat company. Printed in USA